



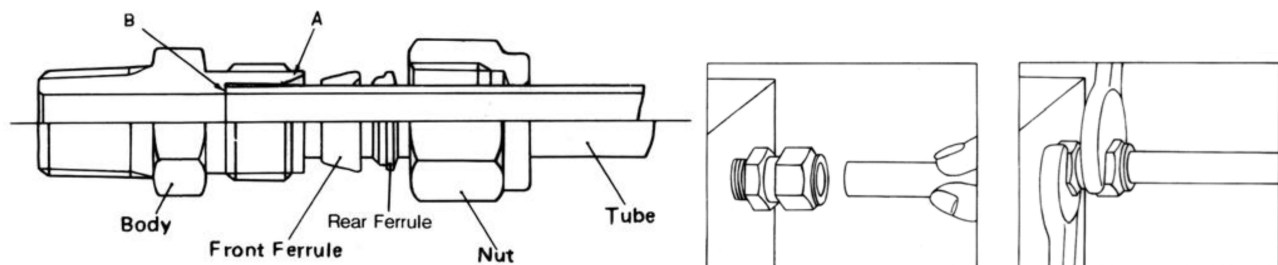
Material: SUS304, SUS316 STAINLESS STEEL & BRASS

Thread Option: NPT, PT, BST, NPS, PS, BSP.

Japsin Tube Fittings ensure a secure, leak-proof, and torque-free seal for all tubing connections, effectively preventing costly and hazardous leaks in instrumentation and process tubing. The fitting's mechanism operates axially along the tube rather than through rotational motion. Since no torque is transferred from the fitting to the tubing, there is no initial strain that could compromise the tubing's integrity. For safe and reliable performance, a comprehensive system design must be considered. It is the responsibility of the system designer and user to ensure material compatibility, appropriate ratings, proper installation, operation, and maintenance.

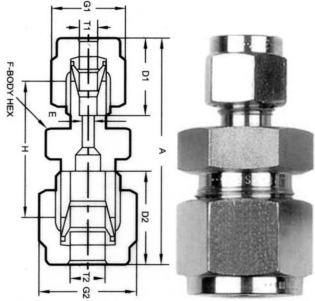
To ensure reliable performance, Japsin Tube Fittings are engineered with four precision-crafted components, manufactured to strict tolerances under rigorous quality control. The high consistency and quality of these precisely matched components make them suitable for even the most demanding applications. Each fitting consists of a Nut, Back Ferrule, Front Ferrule, and Body, forming a secure five-piece connection when attached to the tubing. The two-ferrule design, along with the fitting's sequential action, compensates for variations in tube material, wall thickness, and hardness, ensuring safe, dependable, and leak-free connections. Additionally, Japsin Tube Fittings are easy to install without the need for special tools.

ASSEMBLY INSTRUCTIONS & REASSEMBLY INSTRUCTIONS





Model JI-RU (Reducing Union)



Our high-quality **reducing union fittings** provide a secure and leak-free connection between pipes or tubes of different sizes. Designed for durability and precision, these fittings ensure optimal performance in various industries, including plumbing, gas, and hydraulic systems.

Key Features:

- Corrosion-resistant stainless steel construction
- Leak-proof and high-pressure resistant design
- Easy installation and reliable performance
- Available in multiple sizes and specifications

Metric

TUBE O.D.	CATALOG NUMBER	A	D1	D2	E	G1	G2	F	H	
T1					T2					
4	3	RU-4-3	38.1	13.7	12.9	2	12	10	12	25.0
4	6	RU-4-6	39.4	13.7	15.3	3	12	14	14	25.4
6	8	RU-6-8	42.3	15.3	16.2	5	14	17	14	27.4
6	10	RU-6-10	44.5	15.3	17.2	5	14	19	19	29.5
6	12	RU-6-12	47.3	15.3	22.8	5	14	22	22	29.5
8	10	RU-8-10	45.1	16.2	17.2	6	17	19	19	30.0
8	12	RU-8-12	47.8	16.2	22.8	6	17	22	22	30.2
10	12	RU-10-12	48.7	17.2	22.8	8	19	22	22	31.0
12	16	RU-12-16	52.0	22.8	24.4	10	22	27	24	31.8
12	18	RU-12-18	53.5	22.8	24.4	10	22	30	27	33.3
18	25	RU-18-25	61.0	24.4	31.3	15	30	38	35	38.6
20	25	RU-20-25	62.0	26.0	31.3	16	32	38	35	39.9

Fraction

TUBE O.D.	CATALOG NUMBER	A	D1	D2	E	G1	G2	F	H	
T1					T2					
1/16	1/8	RU-005-01	31.0	8.6	12.7	1	10	10	12	20.6
1/8	3/16	RU-01-015	36.6	12.7	13.7	3	10	12	12	23.4
1/8	1/4	RU-01-02	38.6	12.7	15.2	3	10	14	14	24.6
1/4	5/16	RU-02-025	42.2	15.2	16.2	5	14	17	14	27.4
1/4	3/8	RU-02-03	43.2	15.2	16.8	5	14	17	17	28.4
1/4	1/2	RU-02-04	47.0	15.2	22.8	5	14	22	22	29.5
3/8	1/2	RU-03-04	48.5	16.8	22.8	7	17	22	22	31.0
1/2	3/4	RU-04-06	53.6	22.8	24.4	10	22	30	27	33.3
3/4	1	RU-06-08	62.7	24.4	31.2	15	30	38	35	40.4